

JPA PT/JPC PT/ JPD PT/JPA/JPC



net.grundfos.com/qr/i/99022277

be
think
innovate

GRUNDFOS 



Max. 8 bar
Max. 116 PSI



Min./Max. 0 °C / +35 °C
Min./Max. 32 °F / 95 °F



- Voltage
- Hz
- Connection:
GAS / NPT



Min./Max. 0 °C / +40 °C
Min./Max. 32 °F / 104 °F



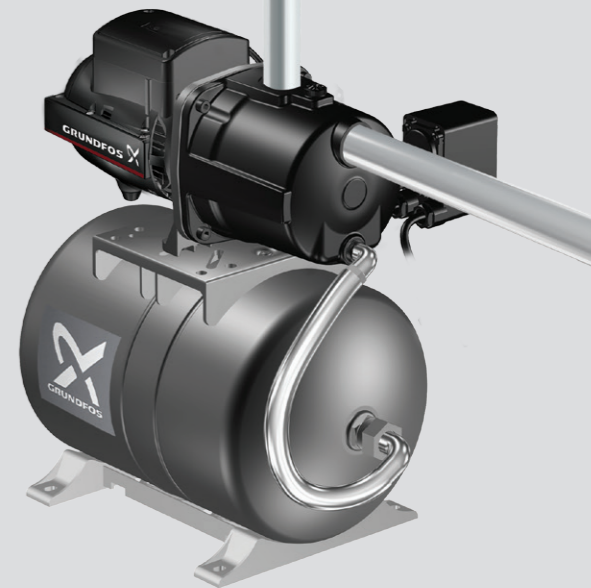
JPA



JPA PT-V



JPA PT-H





JPC



Min./Max. 0 °C / +35 °C (60 °F)
Min./Max. 32 °F / 95 °F (140 °F)



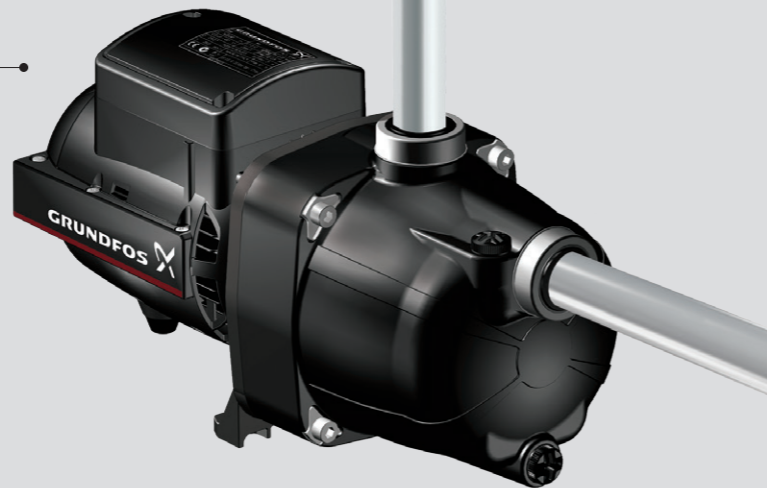
Max. 6 bar
Max. 87 PSI



• Voltage
• Hz
• Connection:
GAS / NPT



Max. +40 °C (+55 °C)
Max. 104 °F (131 °F)

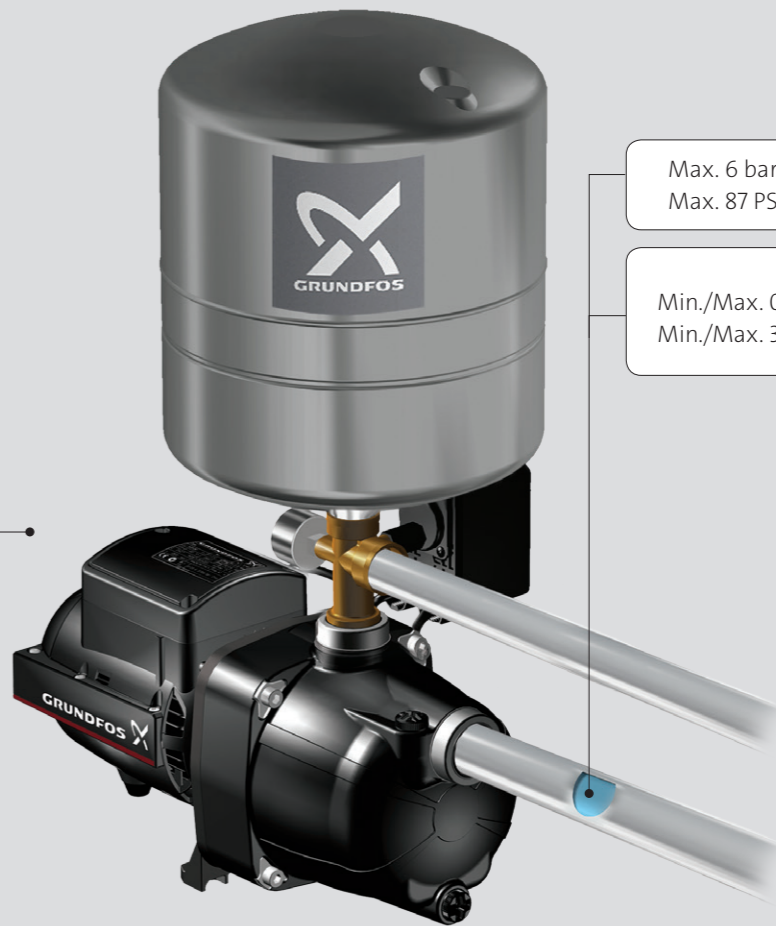


JPC PT-V

• Voltage
• Hz
• Connection:
GAS / NPT



Min./Max. 0 °C / +40 °C
Min./Max. 32 °F / 104 °F



Max. 6 bar
Max. 87 PSI



Min./Max. 0 °C / +35 °C
Min./Max. 32 °F / 95 °F





- Voltage
- Hz
- Connection:
GAS / NPT



Min./Max. 0 °C / +40 °C
Min./Max. 32 °F / 104 °F



JPD PT-V

JPD 4-47, 4-54
Max. 6 bar/87 PSI



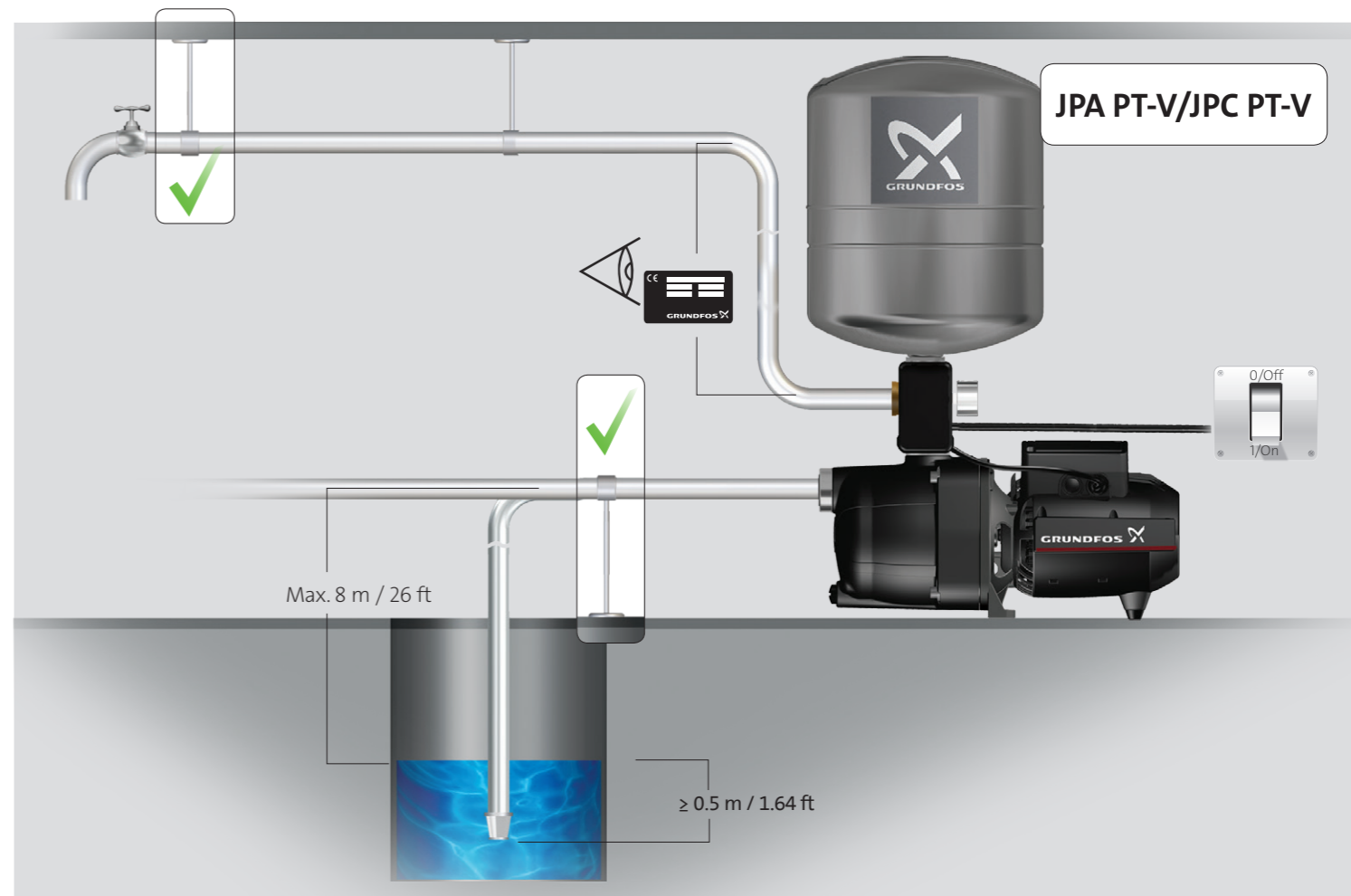
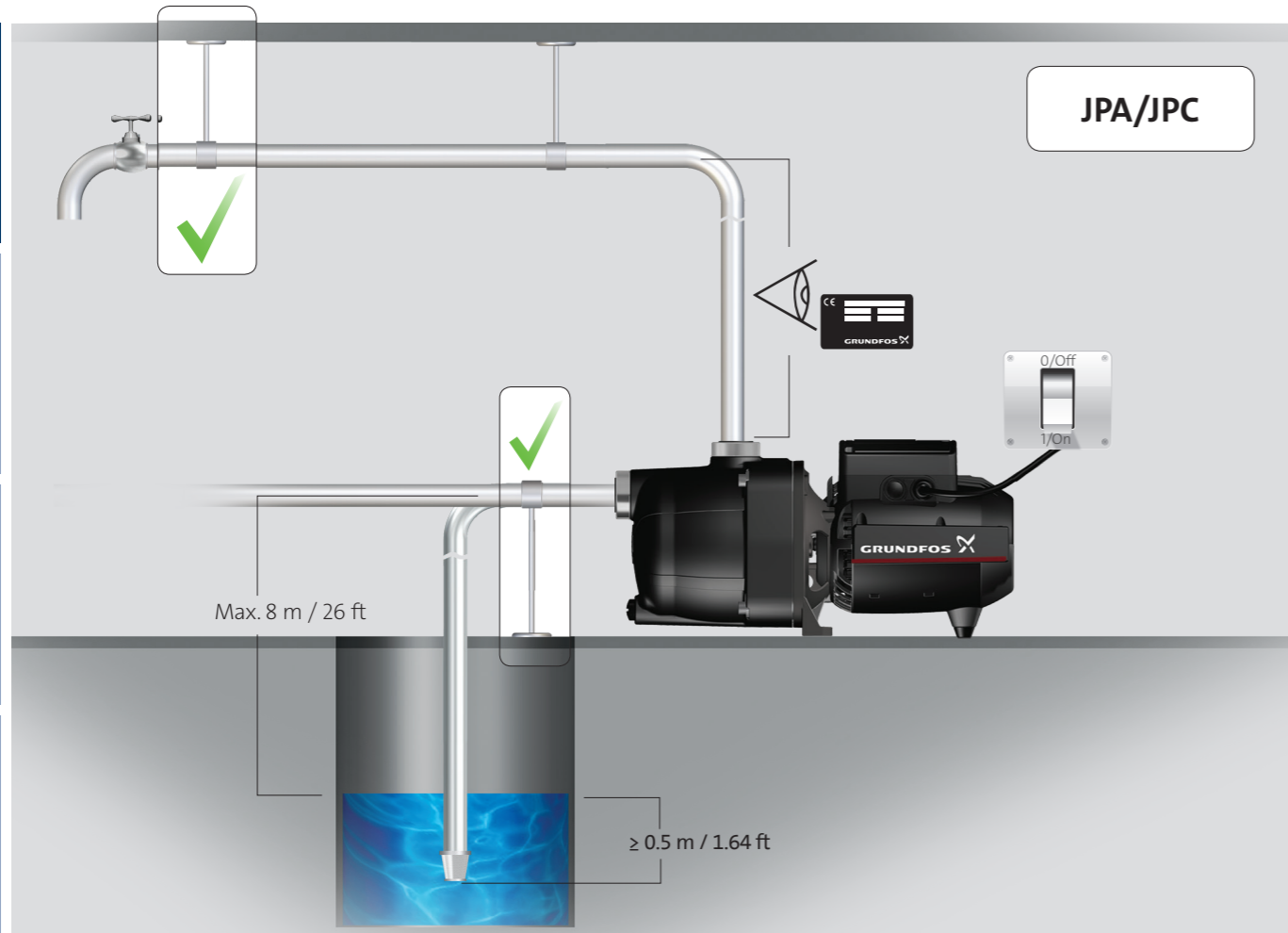
JPD 5-61, 8-62
Max. 8 bar/116 PSI

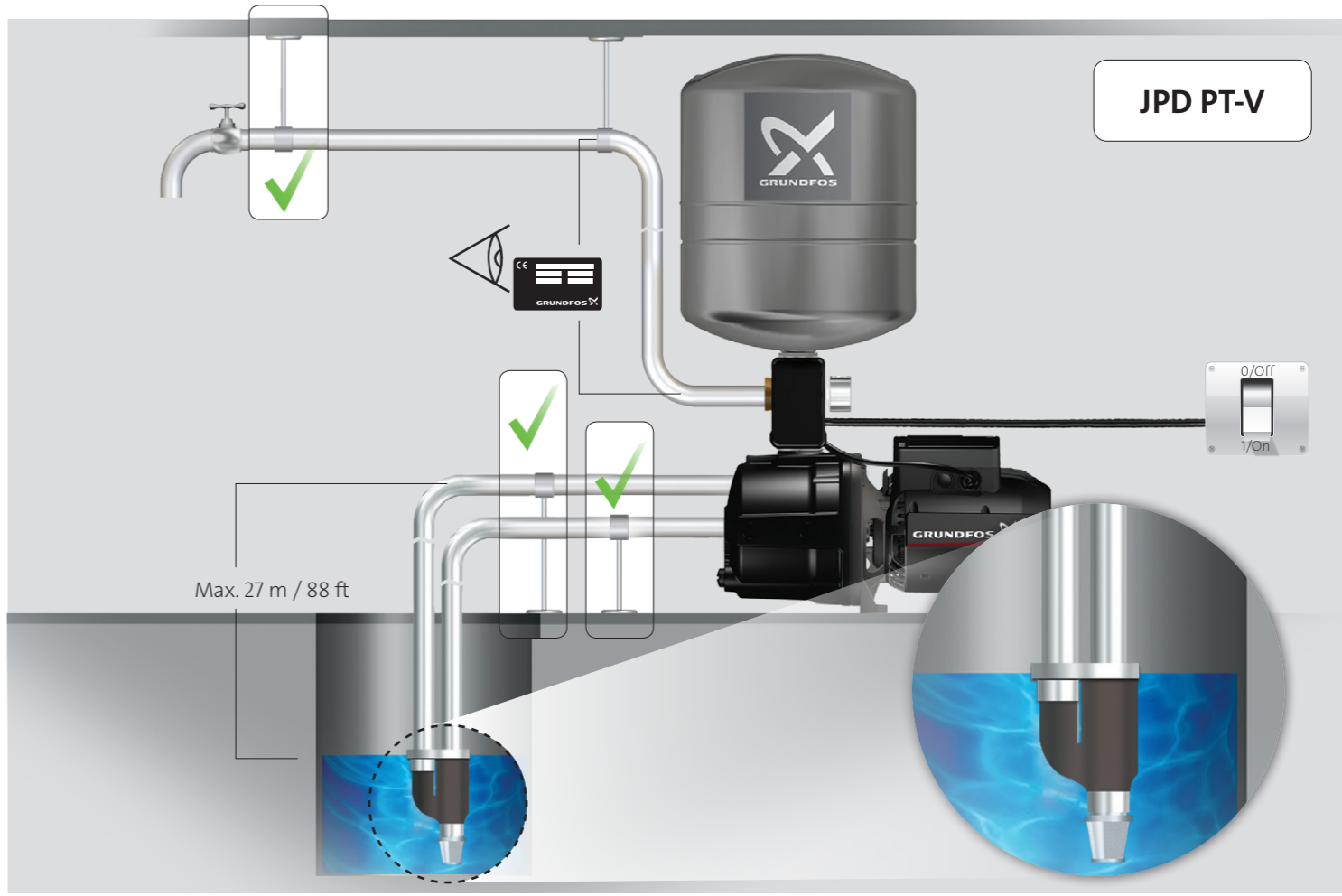
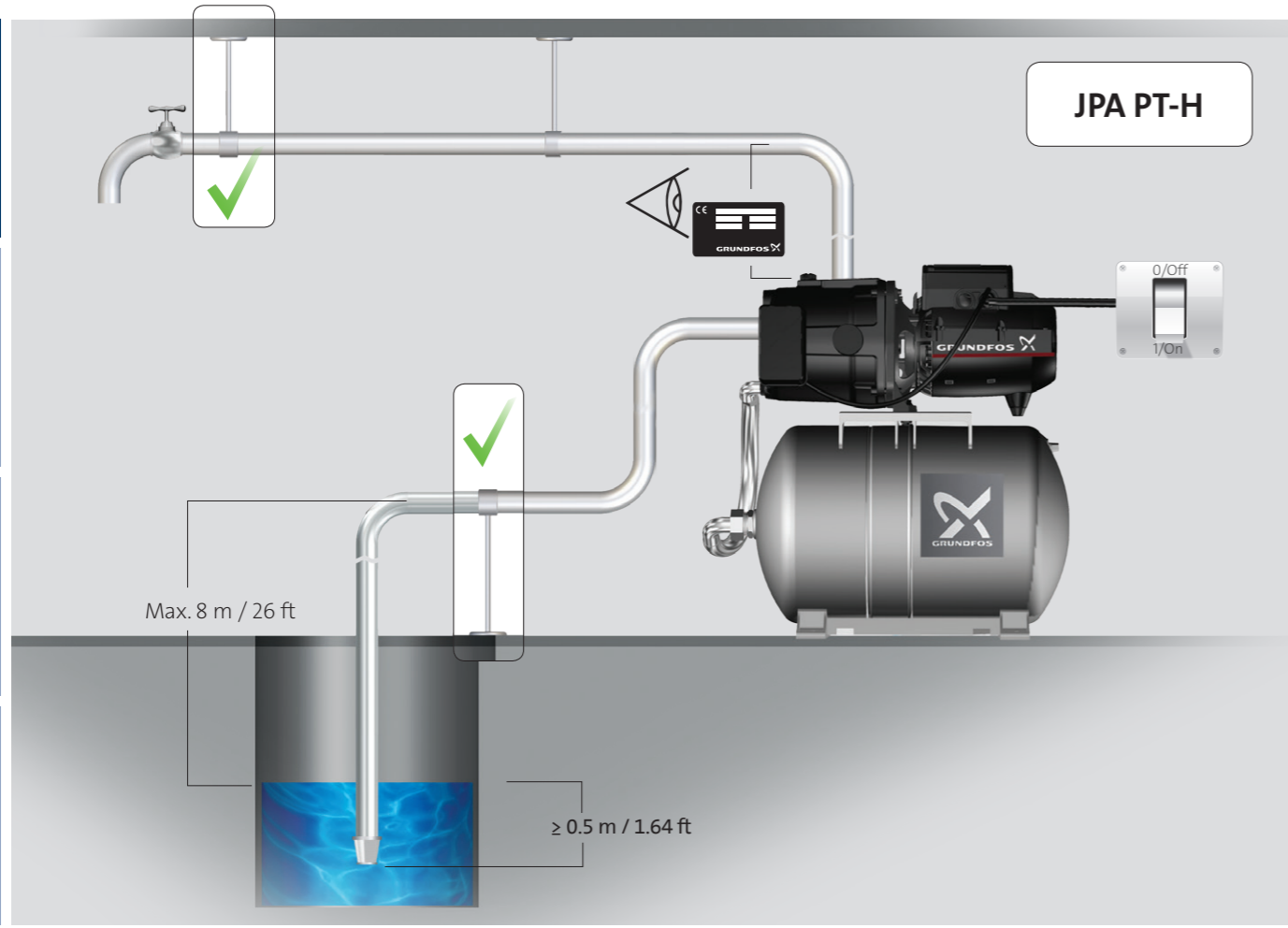
Min./Max. 0 °C / +35 °C
Min./Max. 32 °F / 95 °F



EJECTOR

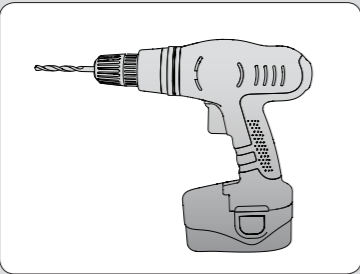




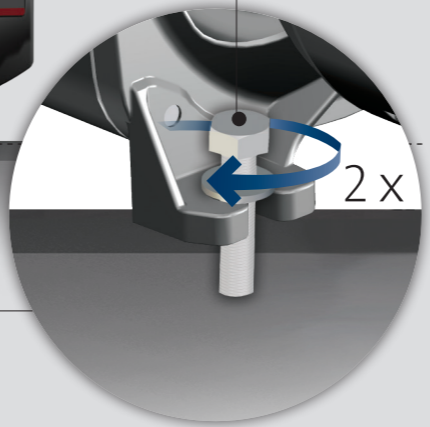
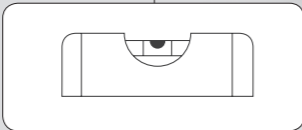
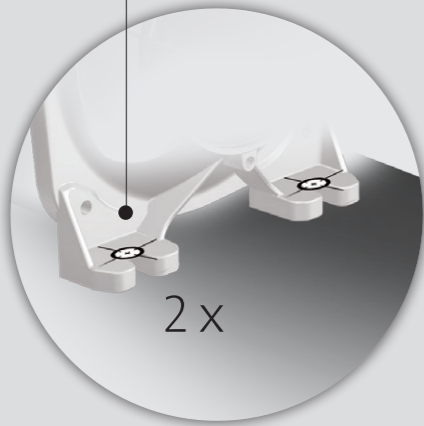
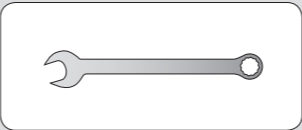




1A

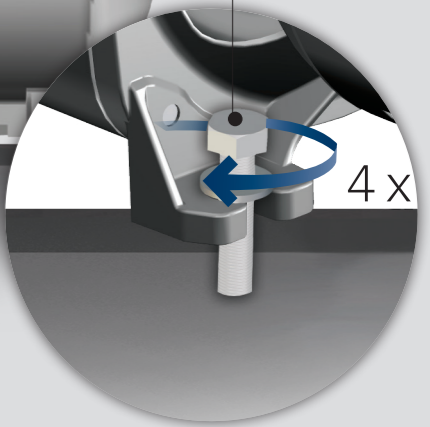
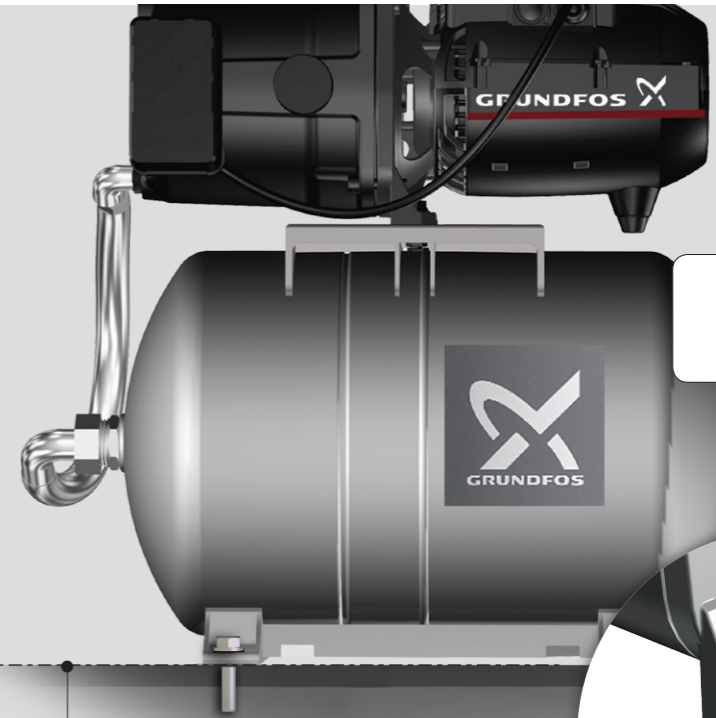
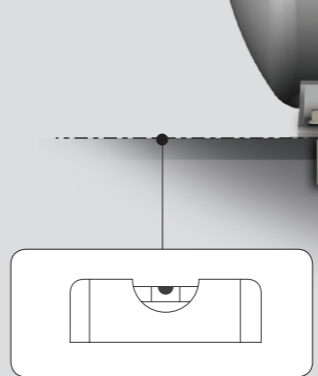
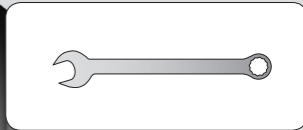


JPA / JPA PT-V / JPC / JPC PT-V / JPD PT-V



1B

JPA PT-H





2A

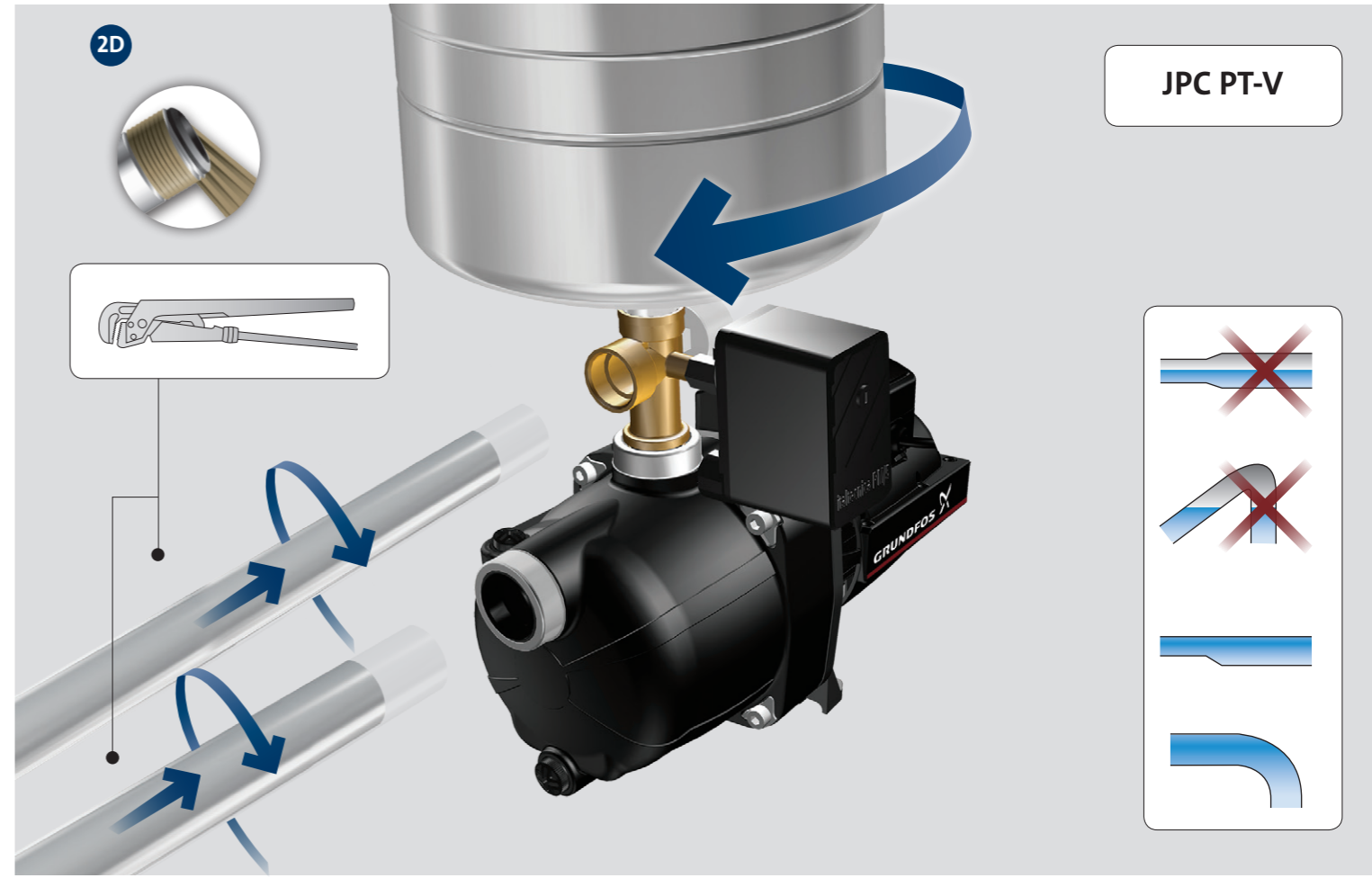
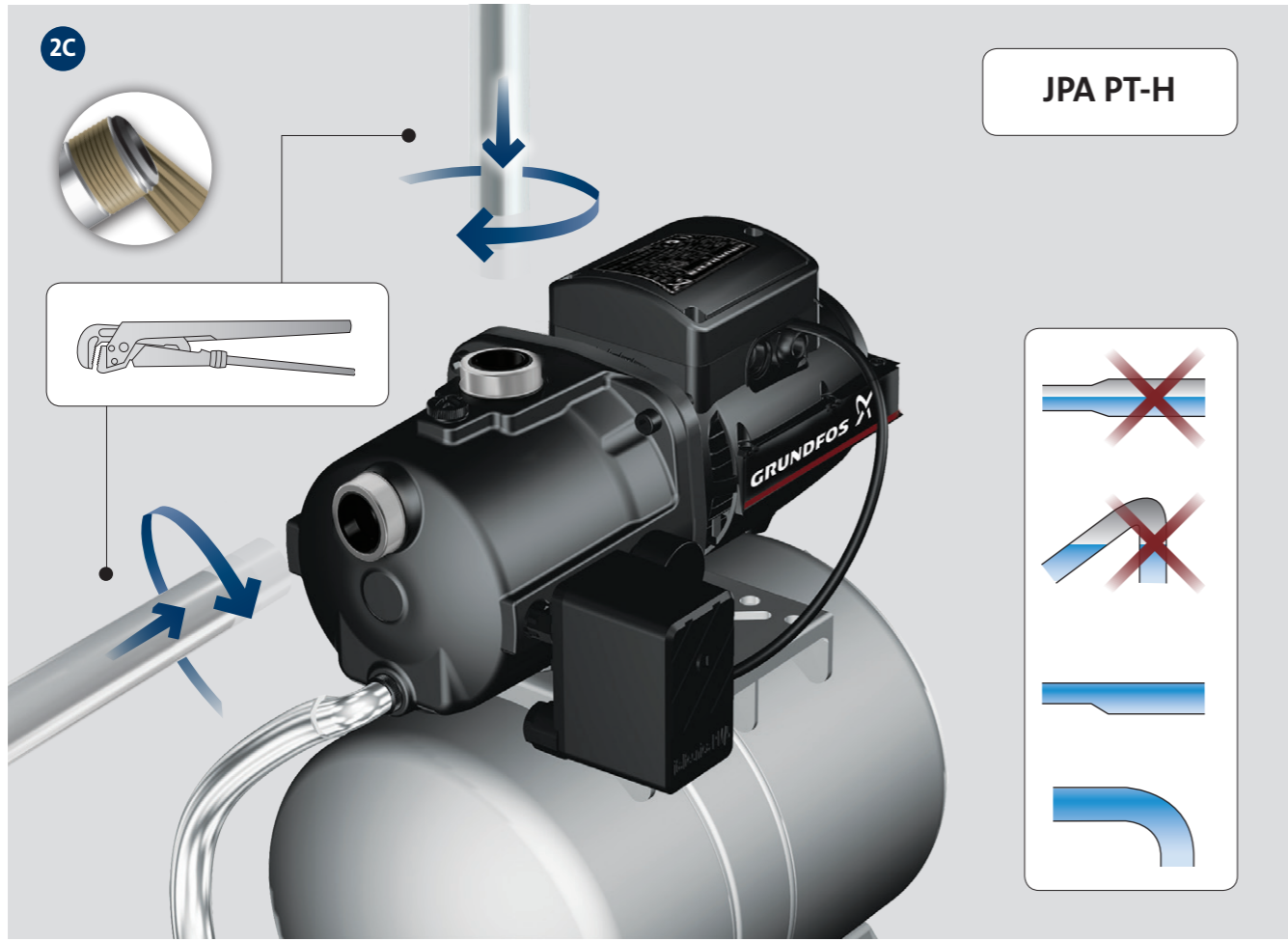
JPA/ JPC

Diagram 2A illustrates the installation of a Grundfos JPA/JPC pump. A vertical pipe is being inserted into the pump's inlet. A circular inset shows a close-up of the pipe's end. A callout box shows a pair of pliers. Blue arrows indicate the pipe being pushed down and rotated. A vertical list of pipe cross-sections shows two incorrect configurations (with red X marks) and two correct configurations.

2B

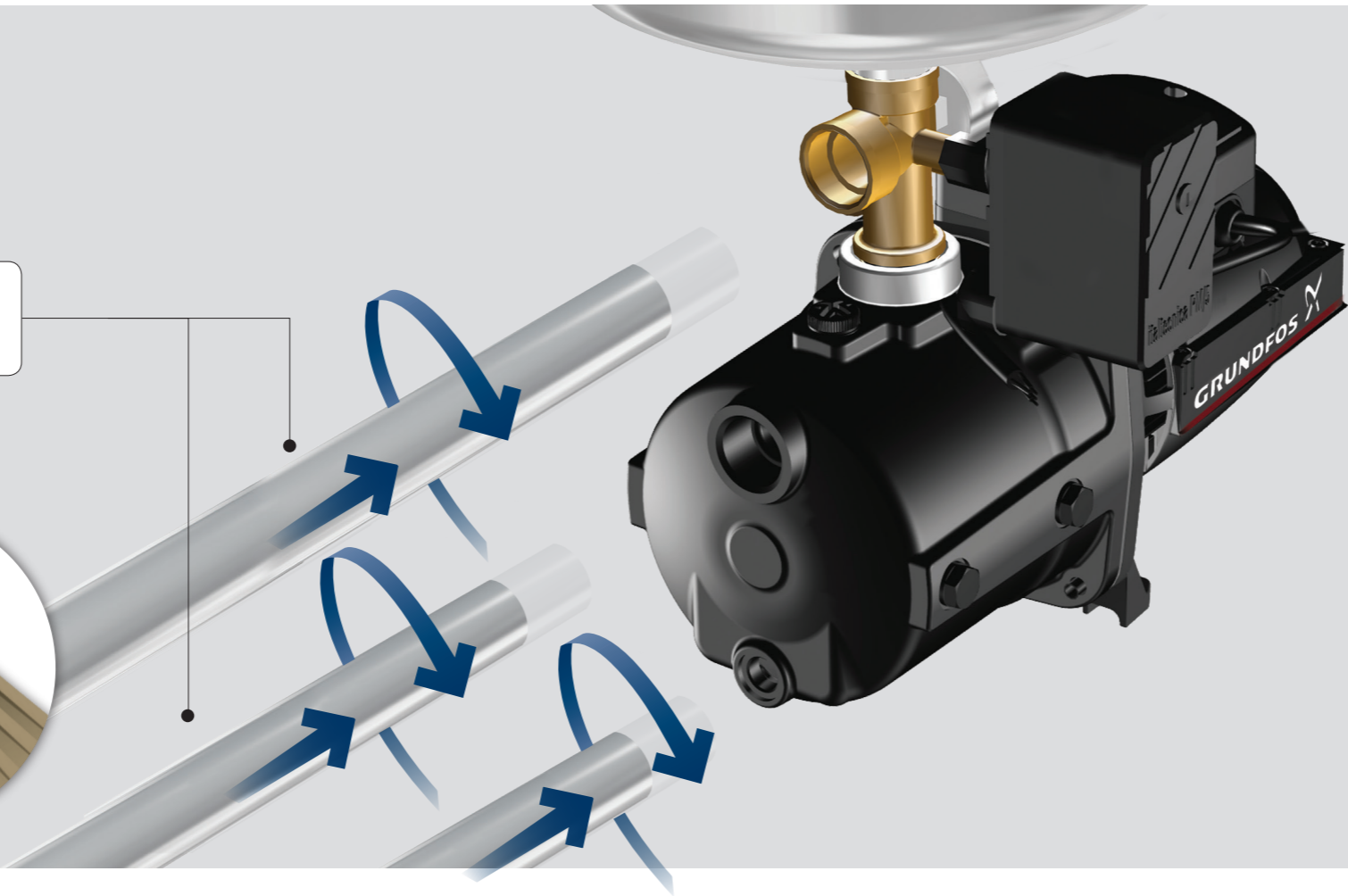
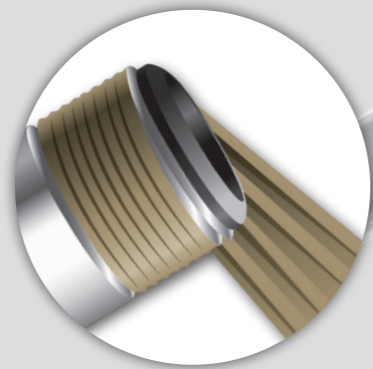
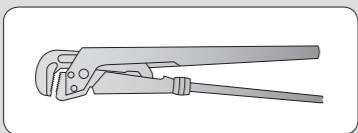
JPA PT-V

Diagram 2B illustrates the installation of a Grundfos JPA PT-V pump. A horizontal pipe is being inserted into the pump's inlet. A circular inset shows a close-up of the pipe's end. A callout box shows a pair of pliers. Blue arrows indicate the pipe being pushed down and rotated. A vertical list of pipe cross-sections shows two incorrect configurations (with red X marks) and two correct configurations.

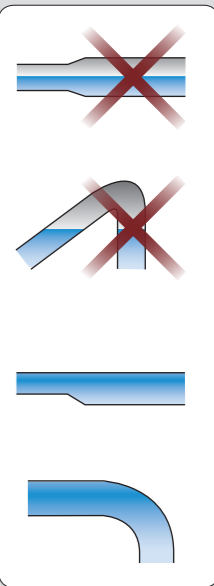


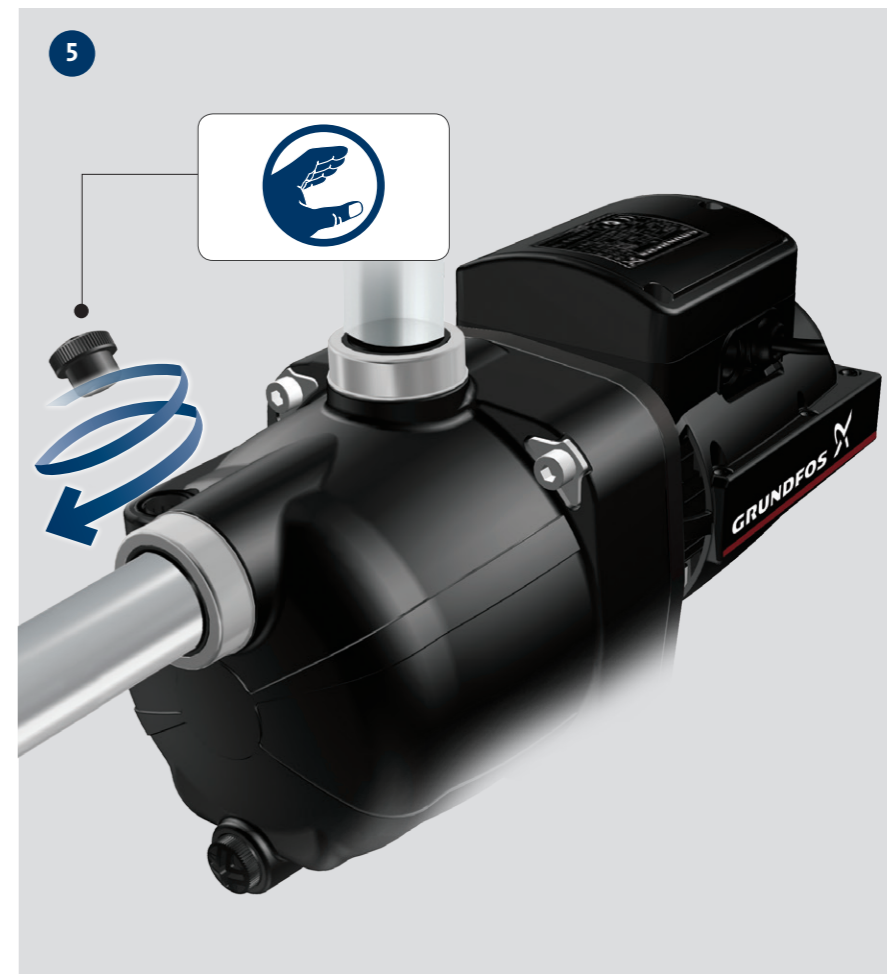
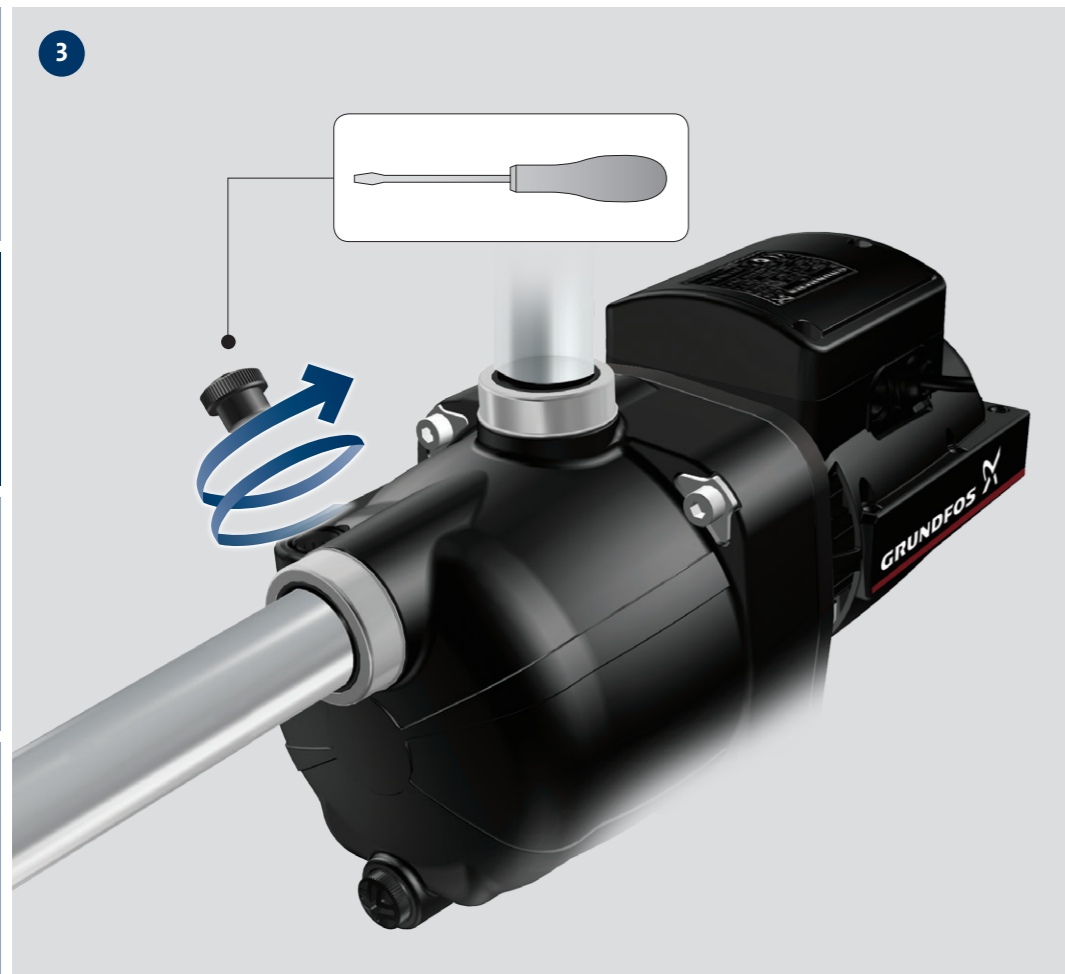
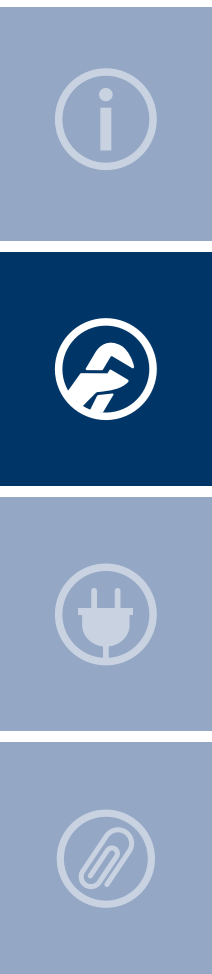


2E



JPD PT-V

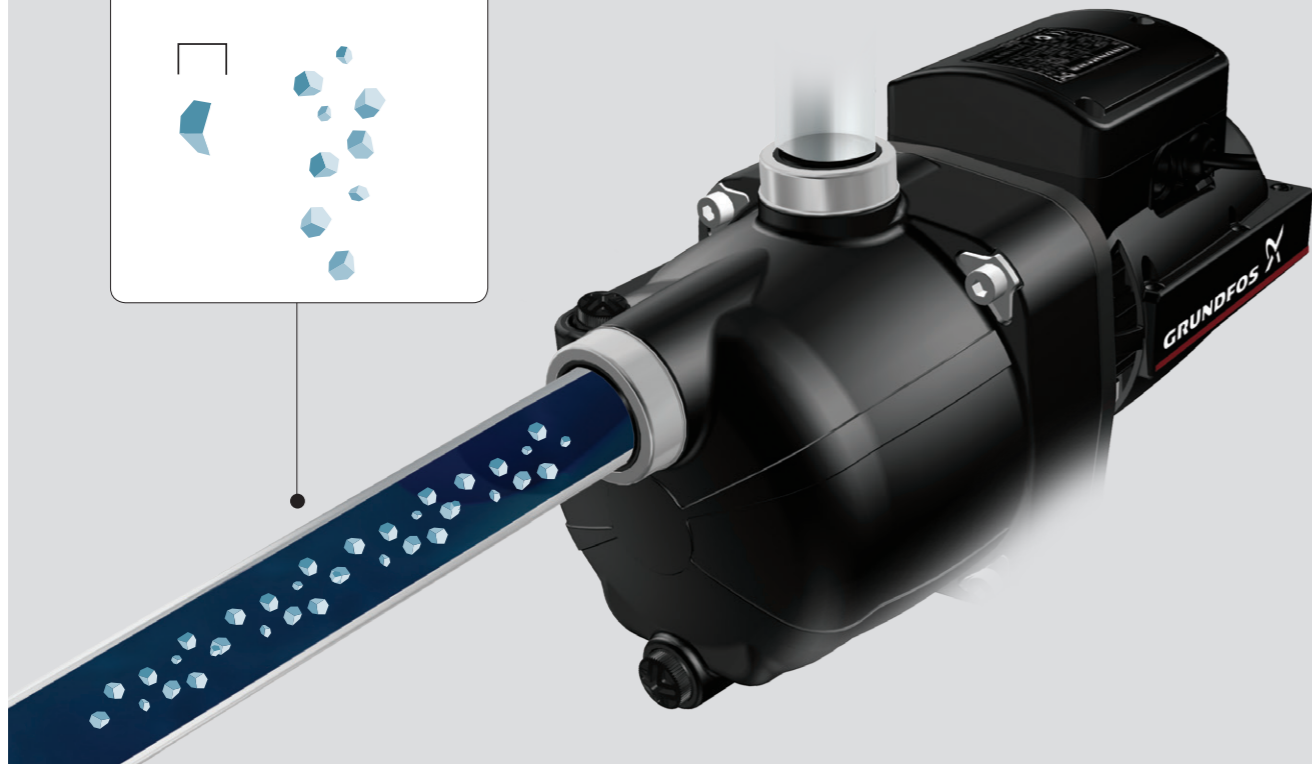
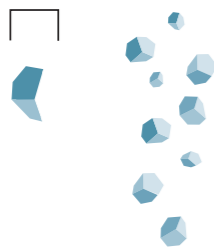






i

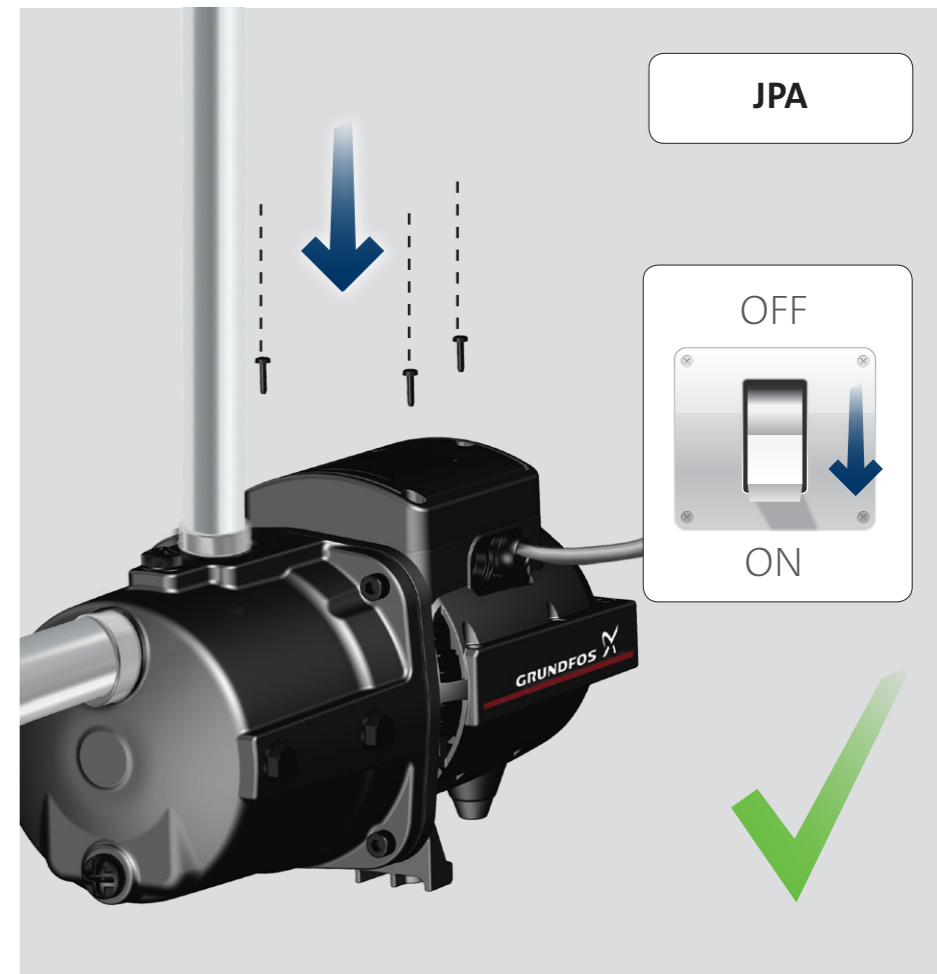
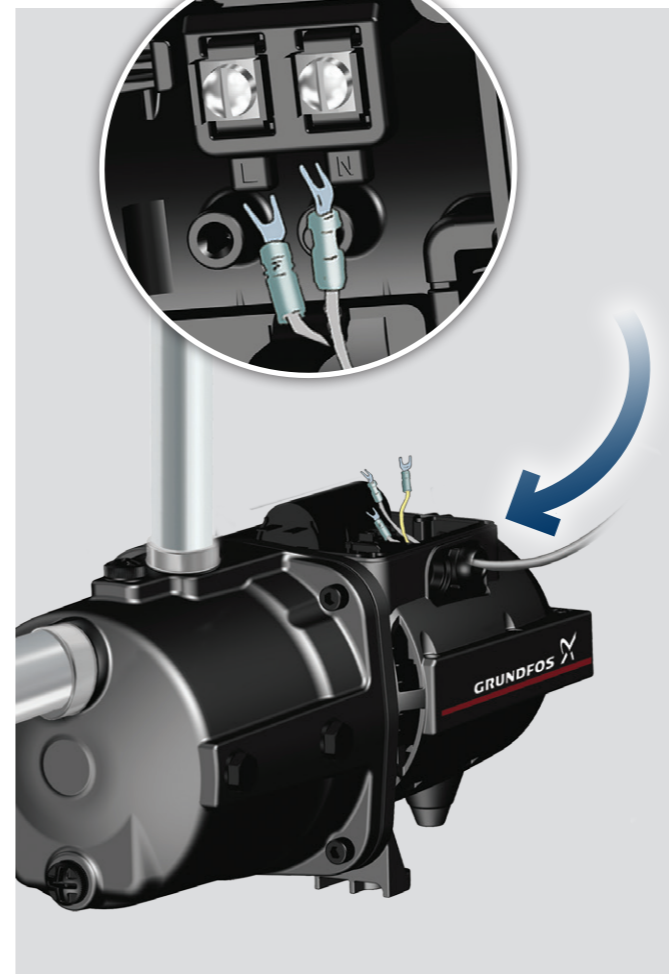
Max. $\varnothing < 1 \text{ mm}$
/ 0.04 inch

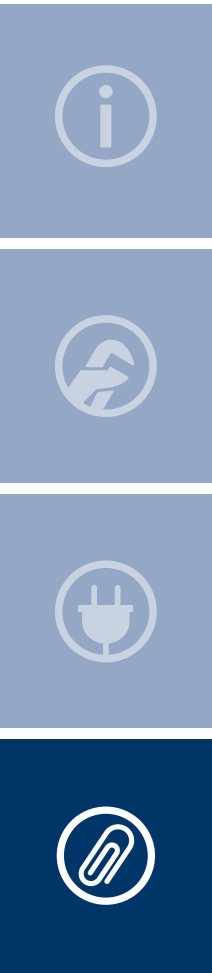


6A

JPA PT-V / JPA PT-H/ JPC/ JPC PT-V / JPD PT-V







be think innovate

98640729 0216

ECM: 1178728

GRUNDFOS Holding A/S
Poul Due Jensens Vej 7
DK-8850 Bjerringbro
Tel: +45 87 50 14 00
www.grundfos.com

GRUNDFOS 

The name Grundfos, the Grundfos logo, and be think innovate are registered trademarks owned by Grundfos Holding A/S or Grundfos A/S, Denmark. All rights reserved worldwide.